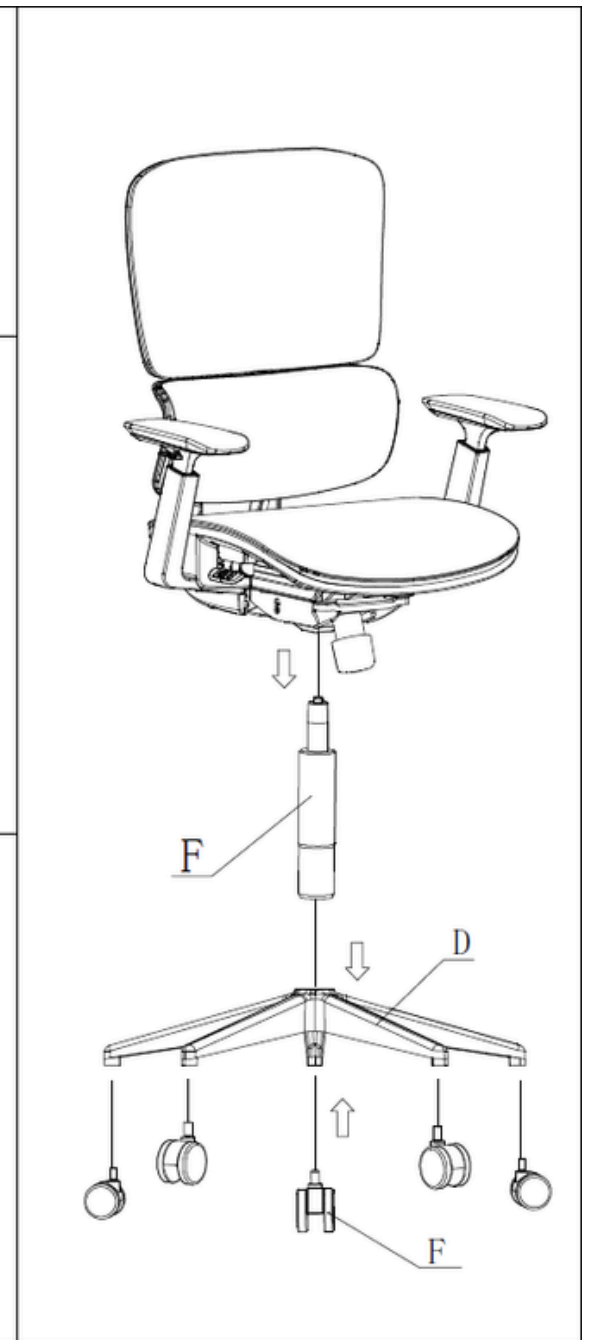
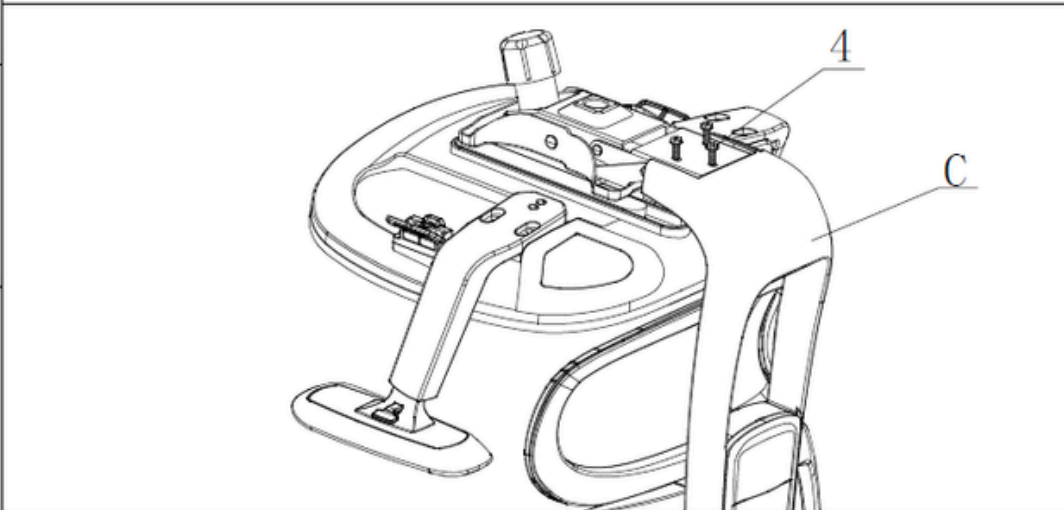
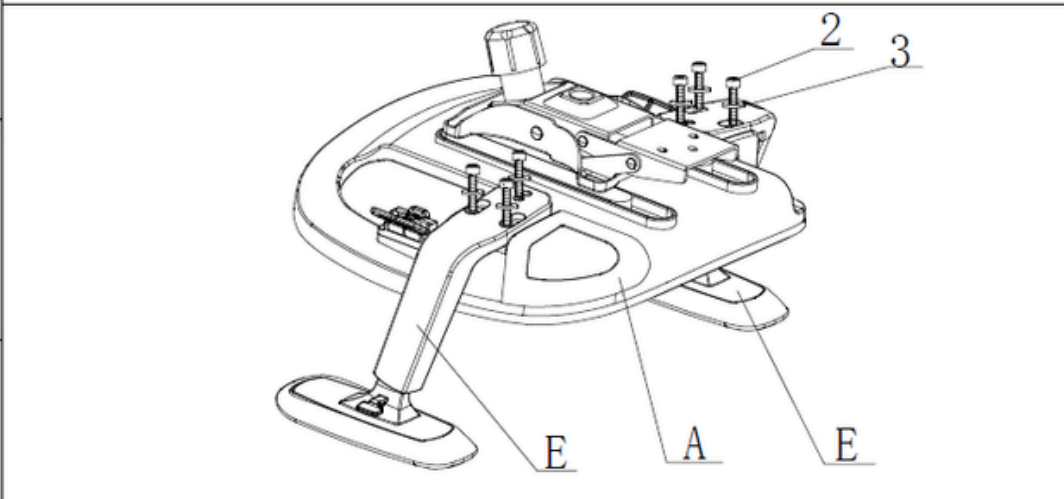
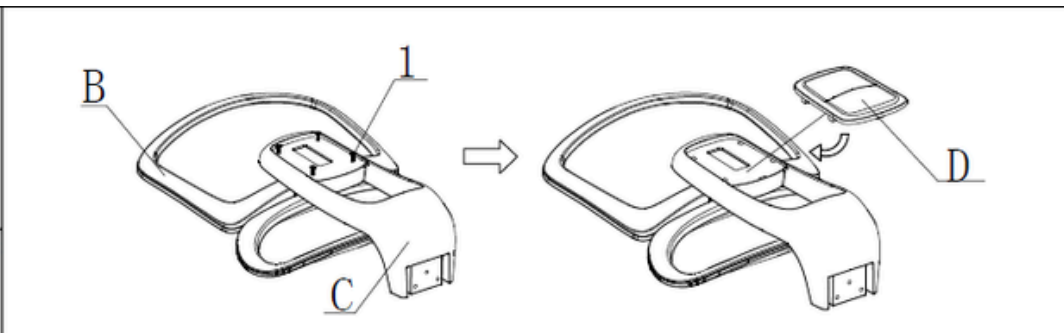


LUSTRO



A	1pc	G	1pc
B	1pc	H	5pcs
C	1pc	I	4pcs
D	1pc	2	6pcs 6X16
E	1set	3	6pcs 6X30
F	1pc	4	3pcs 6X16 8X20



LUSTRO

 rauman

